



Description

The sensors of series P16 are piezoresistive based on ceramic. Measurement cubicle has excellent long life stability and over load resistance. The transducers supply high accuracy during measure range and decrease the effect of hysteresis. Pressure transmitter's zero point which are designed from PNOMEK R&D engineers, can be set according to customer specifications.

- Long time stability thanks to piezoresistive ceramic cubicle measurement.
- Stainless body and ultra compact design.
- Excellent measurement until 600 bar.
- It can be set according to customer specifications.
- Normal it has double resistance to vibration compare to industrial standards.

Application

- Hydraulic and mobile hydraulics
- Pneumatics
- Heavy-Duty machines industry
- Media; Compressed air, liquids, gases.



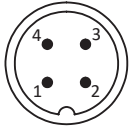
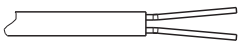
Technical Features

Mechanical Connection Type : G1/4" - G1/8" - 1/4"BSPT - 1/8"BSPT - M10x1,0 - M12x1,5 - 1/8"NPT - 1/4"NPT
Accuracy @ 25°C : < % $\pm 0,5$ FS
Working temperature : -20°C...+110°C
Reaction time : < 5 ms
Shock Test (DIN EN 60068-2-27:1993) : 30 g
Body Material : 316L Stainless or Brass
Viscosity Range : 10 ile 800 mm² /sec
Output : 4 ... 20mA - 4 ...20mA (3 cabled) - 0 ... 10V - 0 ... 5V - 1 ... 5V - 0,5 ... 4,5V - 0,5 ... 4,5V (Ratiometric)

Order Codes

Model	Body	Leakageproof Type	Mechanical Connection Type	Electrical Con. Type	Pressure			Output Signal	Accuracy
					Code	Pressure Range (bar)	P _{max}		
P16 Model Pressure Transmitter & Transducer	Y Brass "MS58" If you do not indicate any body type, It is delivered as stainless "316L" body	N NBR E EPDM H HNBR If you do not indicate any leakageproof type, It is delivered as "NBR"	A3 G1/4"	T1 DIN 43650 A	V0	-1...0	6 bar	Z1 4 ... 20 mA	F1 Pressure transmitter that is calibrated high accuracy (Please review Accuracy diagram for accuracy values). If accuracy type doesn't preferred, pressure transmier which is calibrated as standart accuracy, is delivered. (± %0.5 FS @ 25°C)
					V1	-1...1	6 bar		
					V3	-1...3	6 bar		
			A4 G1/8"	T2 DIN 43650 C	V6	-1...6	15 bar	Z1.3 4 ... 20 mA (3 kablolu)	
					V10	-1...10	30 bar		
					V16	-1...16	45 bar		
			S3 1/4" BSPT	T3 M12 x 1 (4 pin)	V24	-1...25	75 bar	Z2 DC 0 ... 10 V	
					2.5	0 ... 2,5	6 bar		
					6	0 ... 6	15 bar		
			S4 1/8" BSPT	T4 Kablo Çıkışı 2 metre	10	0 ... 10	30 bar	Z3 DC 0 ... 5 V	
					16	0 ... 16	45 bar		
					25	0 ... 25	75 bar		
			B1 M10 x1,0	T5 Kablo Çıkışı 2 metre	40	0 ... 40	100 bar	Z4 DC 1 ... 5 V	
					60	0 ... 60	130 bar		
					100	0 ... 100	250 bar		
			B3 M12x1,5		160	0 ... 160	350 bar	Z5 DC 0,5 ... 4,5 V	
250	0 ... 250	600 bar							
315	0 ... 315	700 bar							
N3 1/8"NPT		400	0 ... 400	700 bar	Z6 DC 0,5 ... 4,5 V Rasiometric9				
		600	0 ... 600	1050 bar					
N4 1/4"NPT									

Electrical Connexion Type

		2 cabled		3 cabled
T1 DIN 43650 A Wide Socket 30 x 30		U _B	1	1
		0V	2	2
		S ₊	-	3
T2 DIN 43650 C Thin Socket 16 x 16		U _B	1	1
		0V	2	2
		S ₊	-	3
T3 M12 x 1 (4 PIN)		U _B	1	1
		0V	3	3
		S ₊	-	4
T4 Cable output Cable height : 2 meter		U _B	Red	Red
		0V	Blue	Blue
		S ₊	-	Brown

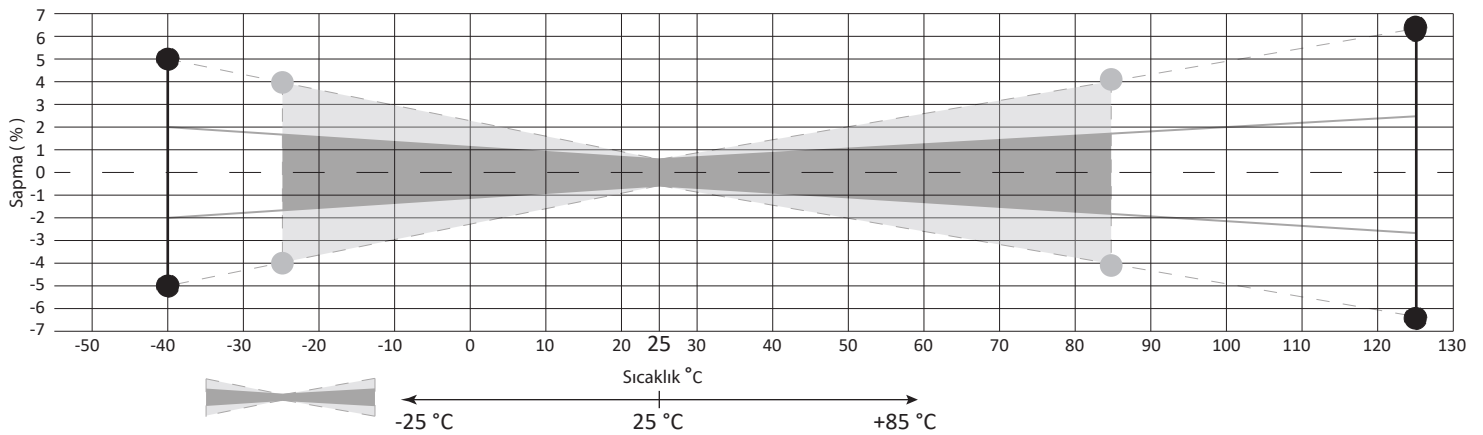
Technical Feature

Special Feature								
Parameters	Unit	Current		Voltage				Rasiometric
Output Signal	-	4 ... 20mA	4 ... 20mA (3 kablolu)	0 ... 10V	0 ... 5V	1 ... 5V	0,5 ... 4,5V	0,5 ... 4,5 V Rasiometric
Input Voltage	VDC	8 ... 30		14 ... 30	8 ... 30			5V ± % 10
Load	Ω	≤(Power supply - 8 V)/0,02 A		> Maximum output signal / 1mA				> 10k
Total current consume	mA	Current Signal, max. 25		8				8
Temperature accuracy 0 ... 80 °C	-	≤ % ± 1 FS						
Action Time	ms	< 5 ms						
Shock Testi	g	30						
Working Temperature	°C	- 20 °C ... 80 °C						
Mechanical Con.	-	G1/4" - G1/8" - 1/4"BSPT - 1/8"BSPT - M10x1,0 - M12x1,5 - 1/8"NPT - 1/4"NPT						
Body Material	-	316L Stainless or Brass body options						

Not: If you have necessary about the out of values, Please contact us.

Accuracy Diagram

Temperature/Accuracy Diagram of P16 Series Pressure Transmitter that has Standart and Calibrated High Accuracy



Pressure transmitter calibrated standard accuracy :

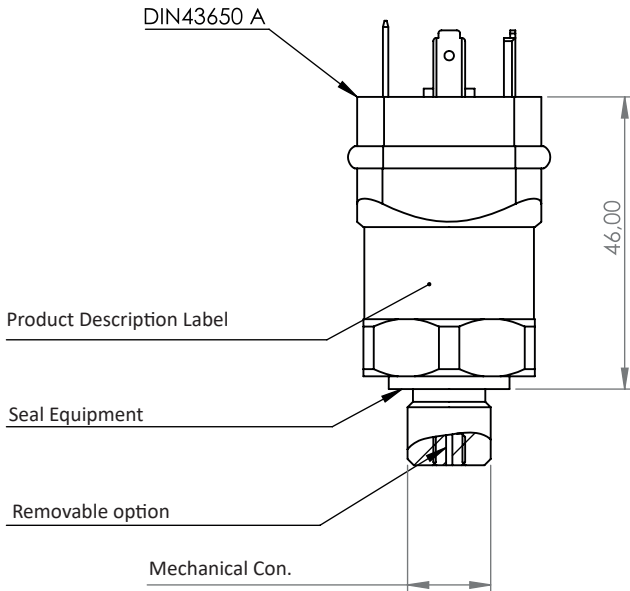


Pressure transmitter calibrated high accuracy :

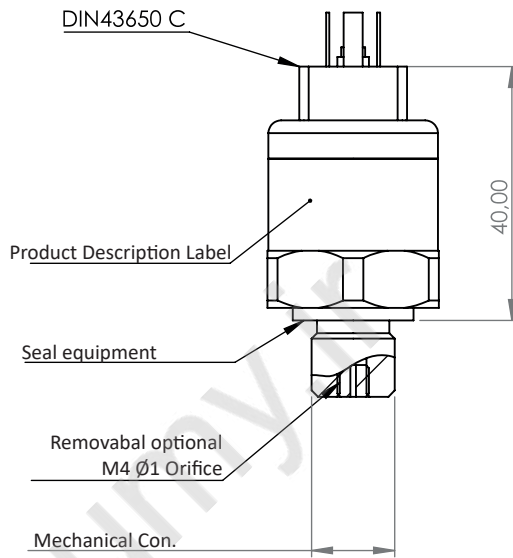


Technical Dimensions

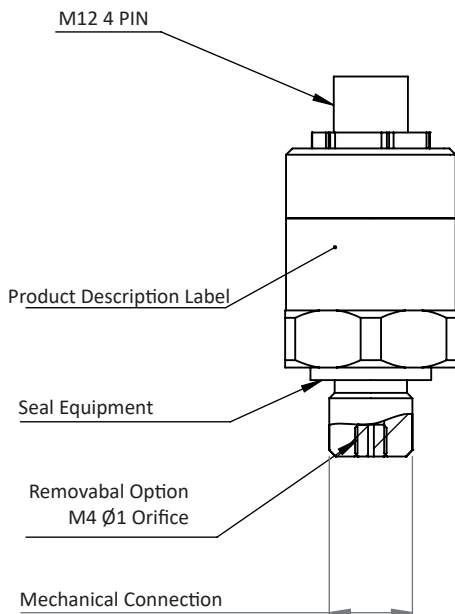
Electrical Connection
T1



Electrical Connection
T2



Electrical Connection
T3



Electrical Connection
T4

