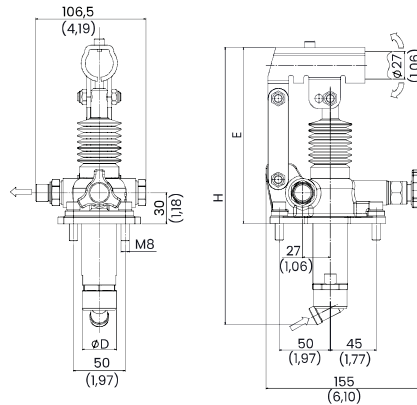


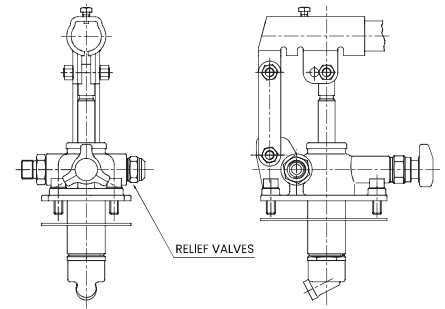
PUMPS FOR FIXING TO THE TANK



PDS
Standard



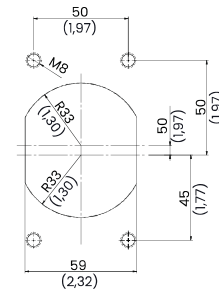
PDS_B
With relief valve



TECHNICAL CHARACTERISTICS

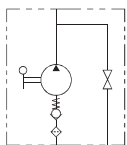
mm [Inches]

H	E	Ø D
253 [9,96]	166 [6,54]	34 [1,34]
273 [10,75]	172 [6,77]	40 [1,57]
283 [11,14]		

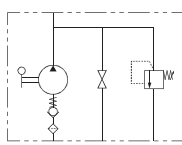


HYDRAULIC CIRCUIT

PDS
Standard



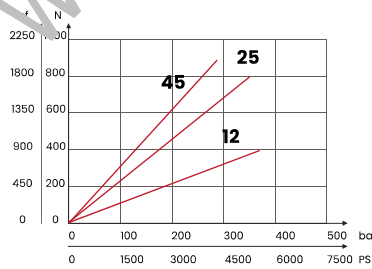
PDS_B
With relief valve



- Relief valve
- Spring 40/350 bar [580/5075 PSI]
- Standard setting 100 bar [1500 PSI]

PERFORMANCE

Force operating at the end of the lever



Specifications

- Cast iron body
- Piston treated with Niploy
- Rubber protection
- Lever connection Ø 27
- White zinc plated external parts
- Standard colour black

ORDERING CODE

ORDERING CODE	VERSION	DISPLACEMENT cm ³ in ³	OPTIMAL PRESSURE bar PSI	MAX PRESSURE bar PSI	WEIGHT kg lbt
PDS12	Hand pump with release hand knob	12 [0,73]	220 [3190]	380 [5510]	3,7 [8,15]
PDS25		25 [1,53]	120 [1740]	350 [5075]	
PDS45		45 [2,75]	80 [1160]	280 [4060]	
LEV27600	Standard lever to be ordered separately				0,9 [2]

Mineral oil: DIN 51524 ISO 6743/4 | Oil viscosity: 15 to 250 cSt 15-250 mm²/s | Oil temperature: -4°F + 176°F -20°C +80°C | Ambient temperature: -4°F + 122°F -20°C +50°C | Max contamination index with filter: 5 to 250 cSt 15-250 mm²/s | It is necessary a filter use to protect the pump (advised filtration 15 µm)