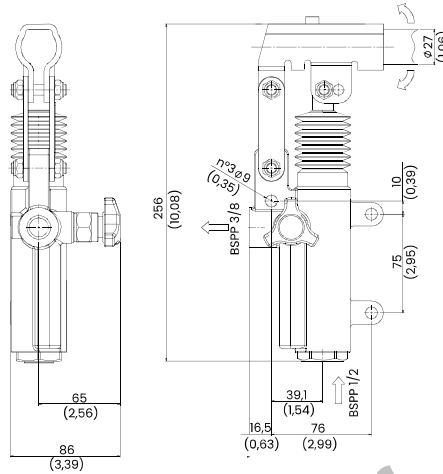


P20 20 cm³ SINGLE ACTING

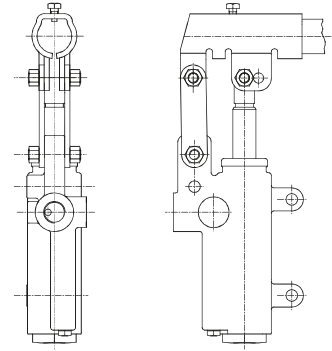
PUMPS FOR WALL MOUNTING



PM20
Standard

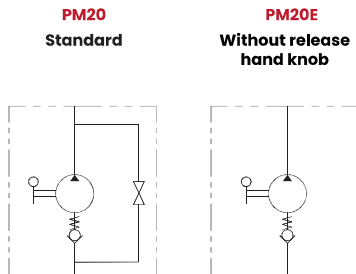


PM20E
Without release
hand knob

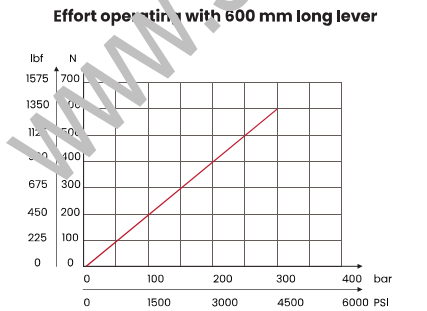


mm
[Inches]

HYDRAULIC CIRCUIT



PERFORMANCES



Specifications

- Cast iron body
- Piston treated with Niploy
- Rubber protection
- Lever connection Ø 27
- White zinc plated external parts
- Standard colour black

ORDERING CODE

ORDERING CODE	VERSIONS	OPTIMAL PRESSURE bar PSI	MAX PRESSURE bar PSI	DISPLACEMENT cm ³ in ³	WEIGHT kg lbt
P20	Hand pump with release hand knob	150 [2175]	350 [5075]	20 [1,22]	3,4 [7,5]
P20E	Hand pump without release hand knob				
LEV27600	Standard lever to be ordered separately				

Mineral oil: DIN 51524 ISO 6743/4 | Oil viscosity: 15 to 250 cSt 15-250 mm²/s | Oil temperature: -4°F + 176°F -20°C +80°C | Ambient temperature: -4°F + 122°F -20°C +50°C | Max contamination index with filter: 5 to 250 cSt 15-250 mm²/s | It is necessary a filter use to protect the pump (advised filtration 15 µm)