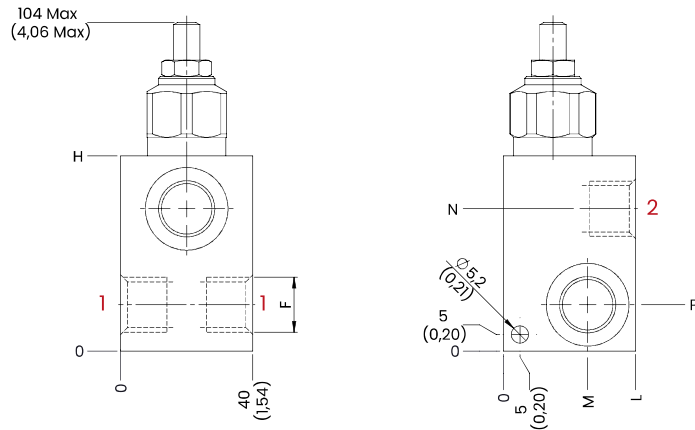


RELIEF VALVES 40 L/MIN

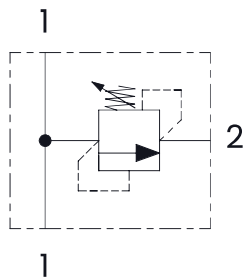


TECHNICAL CHARACTERISTICS

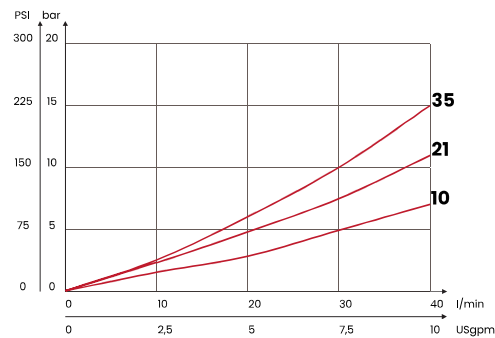
mm [Inches]

F	L	M	N	P	H
3/8 BSPP	40 [1,57]	27 [1,06]	43 [1,69]	14 [0,55]	59 [2,32]
1/2 BSPP	45 [1,77]	29,5 [1,16]	44 [1,73]	15 [0,59]	60 [2,36]
Steel body					

HYDRAULIC CIRCUIT



PERFORMANCES



ORDERING CODE

ORDERING CODE	F	RANGE SPRING	INCREASE TO TURN	MAX FLOW l/min USgpm	MAX PRESSURE bar PSI	WEIGHT kg lbt		
M402BC10	3/8 BSPP	10/100 bar [145/1450 PSI]	12 bar/ al giro [174 PSI/turn]	40 [10,6]	350 [5075]	0,47 [1,03]		
M402BC21		20/210 bar [290/3045 PSI]	33 bar/ al giro [479 PSI/turn]					
M402BC35		70/350 bar [1015/5075 PSI]	70 bar/ al giro [1015 PSI/turn]					
M403BC10	1/2 BSPP	10/100 bar [145/1450 PSI]	12 bar/ al giro [174 PSI/turn]			40 [10,6]	350 [5075]	0,7 [1,54]
M403BC21		20/210 bar [290/3045 PSI]	33 bar/ al giro [479 PSI/turn]					
M403BC35		70/350 bar [1015/5075 PSI]	70 bar/ al giro [1015 PSI/turn]					
Available with handknob								

Mineral oil: DIN 51524 ISO 6743/4 | Oil viscosity: 15 to 250 cSt 15-250 mm²/s | Oil temperature: -4°F + 176°F -20°C +80°C | Ambient temperature: -4°F + 122°F -20°C +50°C | Max contamination index with filter: 5 to 250 cSt 15-250 mm²/s | It is necessary a filter use to protect the valve (advised filtration 15 µm) | Max leakage: 0,25 cm³/min - 5 drops/min at 80% of the calibration pressure