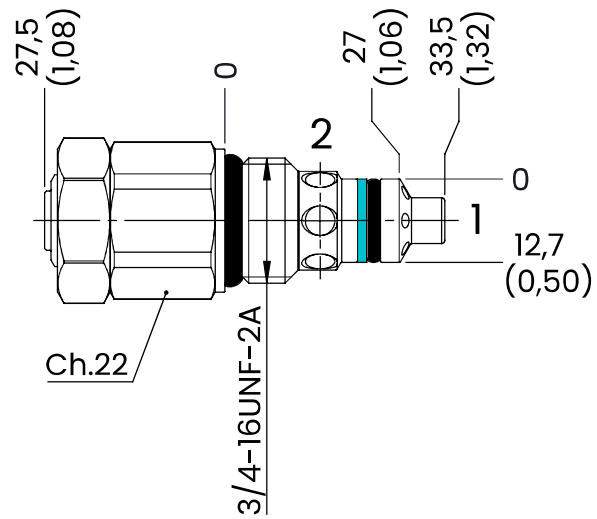
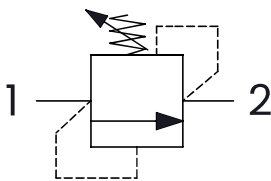


RELIEF VALVES POPPET TYPE - 20 LT

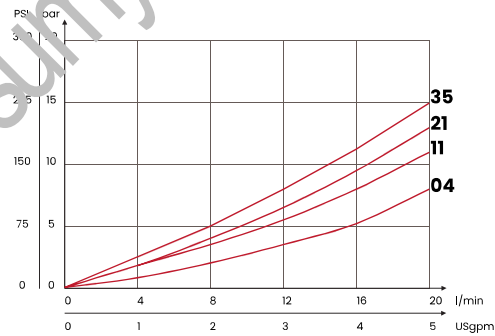


mm
[Inches]

HYDRAULIC CIRCUIT



PERFORMANCES



ORDERING CODE

ORDERING CODE	CAVITY	RAGE SPRING	INCREASE TO TURN	MAX FLOW l/min USgpm	MAX PRESSURE bar PSI	TIGHTENING TORQUE Nm lbt ft	WEIGHT kg lbt
M21C04	SAE8/2	10/40 bar [145/580 PSI]	20 bar/ al giro [290 PSI/turn]	20 [5,3]	350 [5075]	30 [22]	0,11 [0,24]
M21C11		20/110 bar [290/1959 PSI]	40 bar/ al giro [580 PSI/turn]				
M21C21		30/210 bar [435/3045 PSI]	70 bar/ al giro [1015 PSI/turn]				
M21C35		40/350 bar [580/5075 PSI]	130 bar/ al giro [1885 PSI/turn]				

Mineral oil: DIN 51524 ISO 6743/4 | Oil viscosity: 15 to 250 cSt 15-250 mm²/s | Oil temperature: -4°F + 176°F -20°C +80°C | Ambient temperature: -4°F + 122°F -20°C +50°C | Max contamination index with filter: 5 to 250 cSt 15-250 mm²/s | It is necessary a filter use to protect the valve (advised filtration 15 µm) | Max leakage: 0,25 cm³/min - 5 drops/min