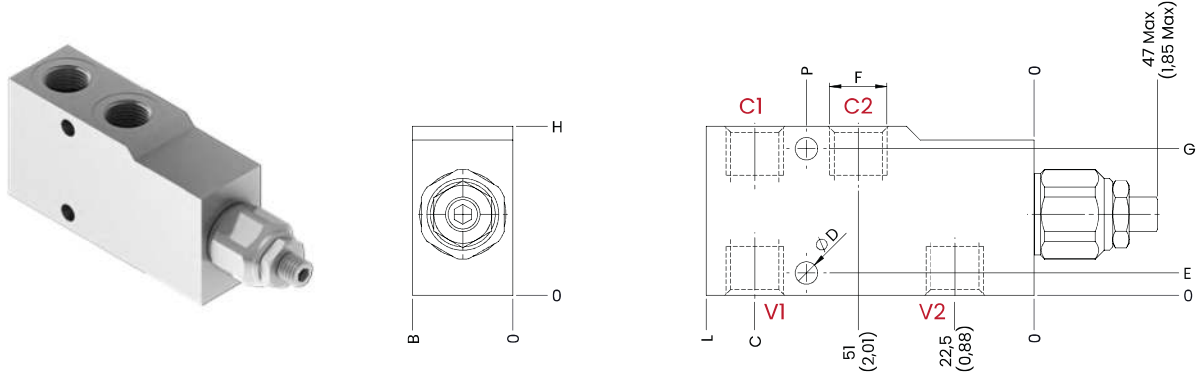


SINGLE COUNTERBALANCE VALVES, FOR OPEN CENTER



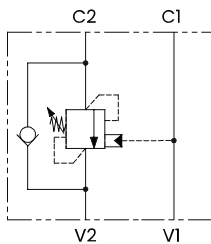
TECHNICAL CHARACTERISTICS

mm [Inches]

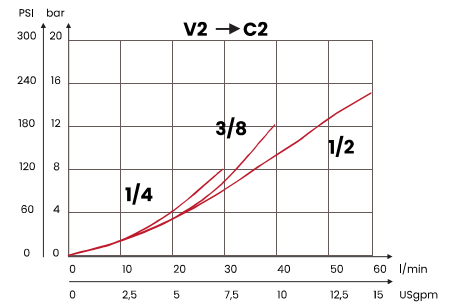
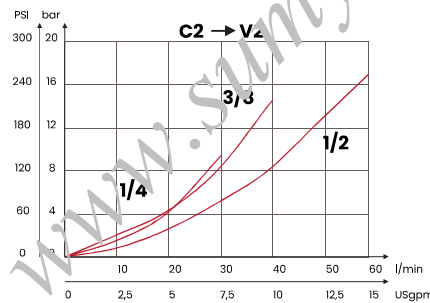
F	B	H	L	Ø D	P	C	E	G
1/4 BSPP	25 [0,98]	50 [1,97]	95 [3,74]	8,3 [0,33]	66 [2,26]	81 [3,19]	5,5 [0,22]	44,5 [1,73]
3/8 BSPP								
1/2 BSPP	30 [1,18]	60 [2,36]	105 [4,13]	8,5 [0,33]	70 [2,76]	89 [3,19]	8,5 [0,33]	51,5 [2,03]

Steel body

HYDRAULIC CIRCUIT



PERFORMANCES



ORDERING CODE

ORDERING CODE	F	MAX FLOW l/min USgpm	STANDARD SETTING	RANGE SPRING	INCREASE TO TURN	PILOT RATIO	MAX PRESSURE bar PSI	WEIGHT kg lbt				
BSA1B21YA	1/4 BSPP	30 [7,9]	210 bar [3045 PSI]	30/210 bar [435/3045 PSI]	80 bar/al giro [1160 PSI/turn]	Rp 1:4,25	350 [5075]	0,83 [1,83]				
BSA1B35YA			350 bar [5075 PSI]	60/350 bar [870/5075 PSI]	135 bar/al giro [1960 PSI/turn]							
BSA2B21YA	3/8 BSPP	40 [10,6]	210 bar [3045 PSI]	30/210 bar [435/3045 PSI]	80 bar/al giro [1160 PSI/turn]			Rp 1:4,25	350 [5075]	0,79 [1,74]		
BSA2B35YA			350 bar [5075 PSI]	60/350 bar [870/5075 PSI]	135 bar/al giro [1960 PSI/turn]							
BSA3B21YA	1/2 BSPP	60 [15,9]	210 bar [3045 PSI]	30/210 bar [435/3045 PSI]	80 bar/al giro [1160 PSI/turn]					Rp 1:4,25	350 [5075]	1,2 [2,65]
BSA3B35YA			350 bar [5075 PSI]	60/350 bar [870/5075 PSI]	135 bar/al giro [1960 PSI/turn]							

**Valves are provided calibrated.
Calibration performed at the flow rate 5 l/m**

Safety cap available on request cod. 62200021

Mineral oil: DIN 51524 ISO 6743/4 | Oil viscosity: 15 to 250 cSt 15-250 mm²/s | Oil temperature: -4°F + 176°F -20°C +80°C | Ambient temperature: -4°F + 122°F -20°C +50°C | Max contamination index with filter: 5 to 250 cSt 15-250 mm²/s | It is necessary a filter use to protect the valve (advised filtration 15 µm) | Max leakage: 0,25 cm³/min - 5 drops/min at 80% of the calibration pressure