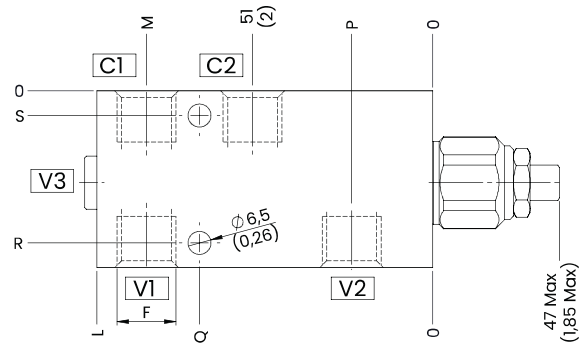
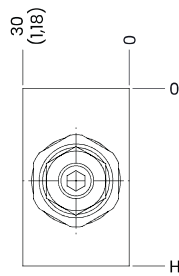


### SINGLE COUNTERBALANCE VALVES, FOR OPEN CENTER



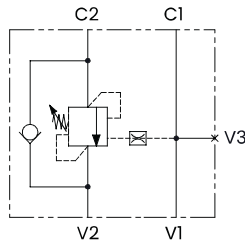
### TECHNICAL CHARACTERISTICS

mm [Inches]

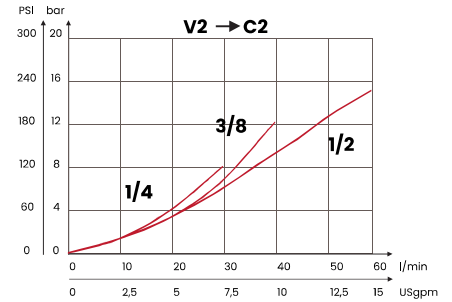
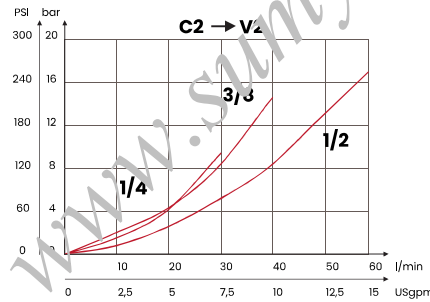
F	H	L	M	P	Q	R	S
1/4 BSPP	50 [1,97]	95 [3,74]	81 [3,19]	23 [0,91]	66 [2,60]	43 [1,70]	7 [0,28]
3/8 BSPP							
1/2 BSPP	60 [2,36]	100 [3,94]	84 [3,31]	21 [0,83]	67,5 [2,66]	50 [1,97]	10 [0,39]

Steel body

### HYDRAULIC CIRCUIT



### PERFORMANCES



### ORDERING CODE

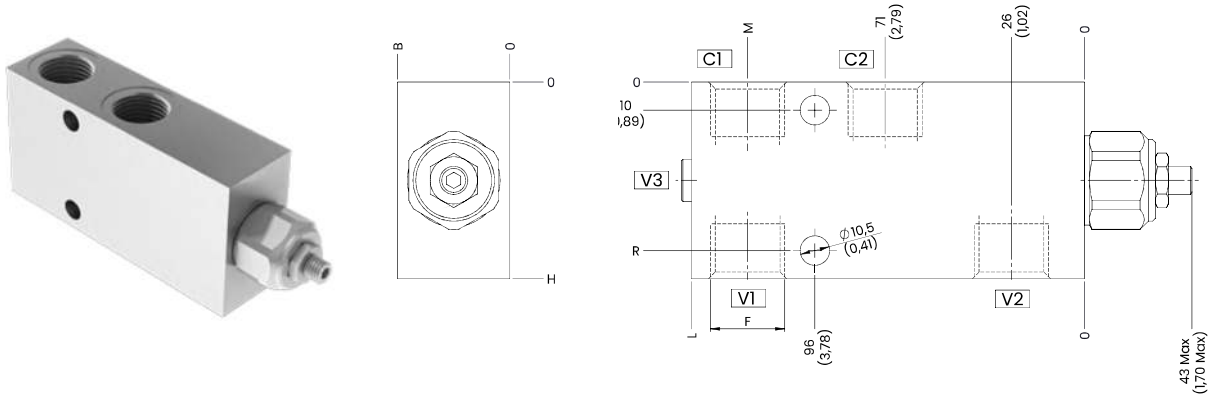
ORDERING CODE	F	MAX FLOW l/min USgpm	STANDARD SETTING	RANGE SPRING	INCREASE TO TURN	PILOT RATIO	MAX PRESSURE bar PSI	WEIGHT kg lbt				
<b>BSA1B21</b>	1/4 BSPP	30 [7,9]	210 bar [3045 PSI]	30/210 bar [435/3045 PSI]	80 bar/al giro [1160 PSI/turn]	Rp 1:4,25	350 [5075]	0,85 [1,87]				
<b>BSA1B35</b>			350 bar [5075 PSI]	60/350 bar [870/5075 PSI]	135 bar/al giro [1960 PSI/turn]							
<b>BSA2B21</b>	3/8 BSPP	40 [10,6]	210 bar [3045 PSI]	30/210 bar [435/3045 PSI]	80 bar/al giro [1160 PSI/turn]			Rp 1:4,25	350 [5075]	0,80 [1,76]		
<b>BSA2B35</b>			350 bar [5075 PSI]	60/350 bar [870/5075 PSI]	135 bar/al giro [1960 PSI/turn]							
<b>BSA3B21</b>	1/2 BSPP	60 [15,9]	210 bar [3045 PSI]	30/210 bar [435/3045 PSI]	80 bar/al giro [1160 PSI/turn]					Rp 1:4,25	350 [5075]	1,25 [2,76]
<b>BSA3B35</b>			350 bar [5075 PSI]	60/350 bar [870/5075 PSI]	135 bar/al giro [1960 PSI/turn]							

Valves are provided calibrated.  
Calibration performed at the flow rate 5 l/min

Safety cap available on request cod. 62200021

Mineral oil: DIN 51524 ISO 6743/4 | Oil viscosity: 15 to 250 cSt 15-250 mm<sup>2</sup>/s | Oil temperature: -4°F + 176°F -20°C +80°C | Ambient temperature: -4°F + 122°F -20°C +50°C | Max contamination index with filter: 5 to 250 cSt 15-250 mm<sup>2</sup>/s | It is necessary a filter use to protect the valve (advised filtration 15 µm) | Max leakage: 0,25 cm<sup>3</sup>/min - 5 drops/min at 80% of the calibration pressure

## SINGLE COUNTERBALANCE VALVES, FOR OPEN CENTER



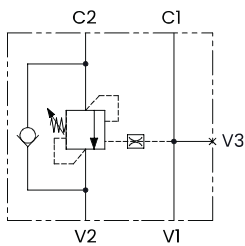
### TECHNICAL CHARACTERISTICS

mm [inches]

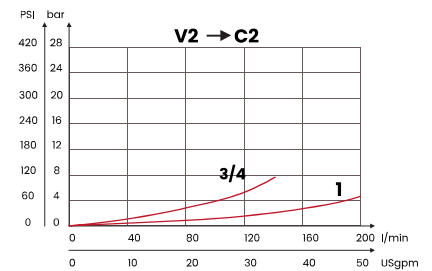
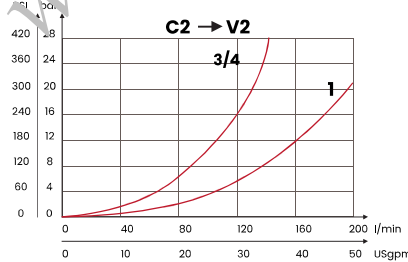
F	B	H	L	M	R
3/4 BSPP	40 [1,57]	70 [2,75]	140 [5,51]	120 [4,72]	60 [2,36]
1 BSPP	50 [1,96]	80 [3,15]	145 [5,70]	121 [4,76]	70 [2,75]

Steel body

### HYDRAULIC CIRCUIT



### PERFORMANCES



### ORDERING CODE

ORDERING CODE	F	MAX FLOW l/min USgpm	STANDARD SETTING	RANGE SPRING	INCREASE TO TURN	PILOT RATIO	MAX PRESSURE bar PSI	WEIGHT kg lbt
<b>BSA4B35</b>	3/4 BSPP	140 [37]	350 bar [5075 PSI]	60/350 bar [870/5075 PSI]	145 bar [2100 PSI]	Rp 1:6,2	350 [5075]	2,5 [5,5]
<b>BSA5B35</b>	1 BSPP	200 [53]						4 [8,9]

**Valves are provided calibrated.  
Calibration performed at the flow rate 5 l/m.**

**Safety cap available on request cod. 62200021**

Mineral oil: DIN 51524 ISO 6743/4 | Oil viscosity: 15 to 250 cSt 15-250 mm<sup>2</sup>/s | Oil temperature: -4°F + 176°F -20°C +80°C | Ambient temperature: -4°F + 122°F -20°C +50°C | Max contamination index with filter: 5 to 250 cSt 15-250 mm<sup>2</sup>/s | It is necessary a filter use to protect the valve (advised filtration 15 µm) | Max leakage: 0,25 cm<sup>3</sup>/min - 5 drops/min at 80% of the calibration pressure