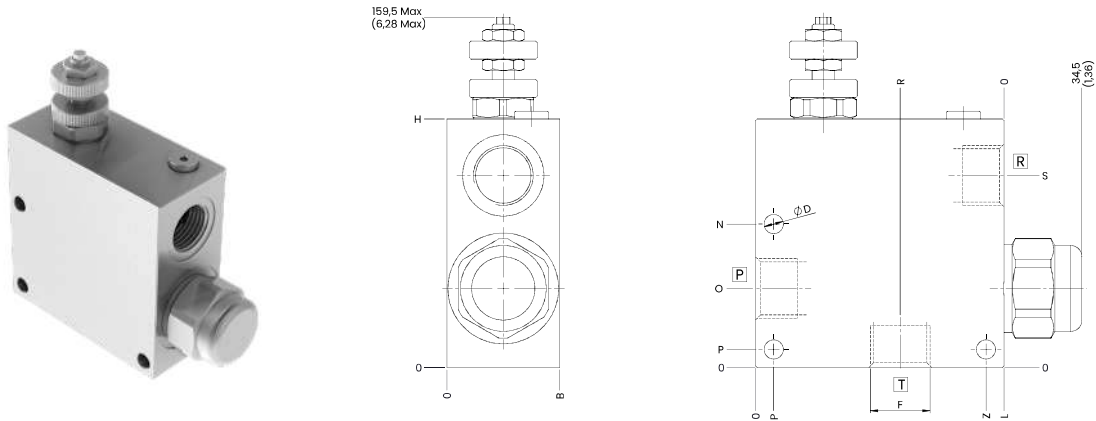


3 WAYS FLOW CONTROL VALVES, PRESSURE COMPENSATED WITH EXCEEDING FLOW TO TANK



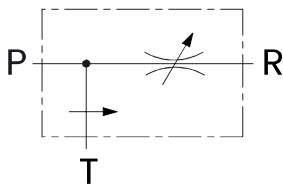
TECHNICAL CHARACTERISTICS

mm [Inches]

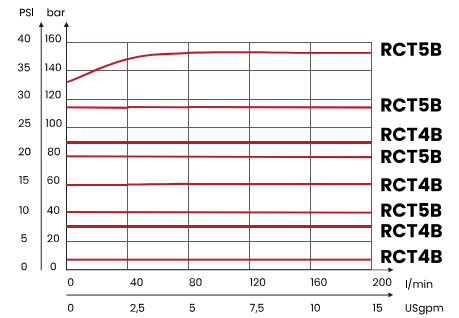
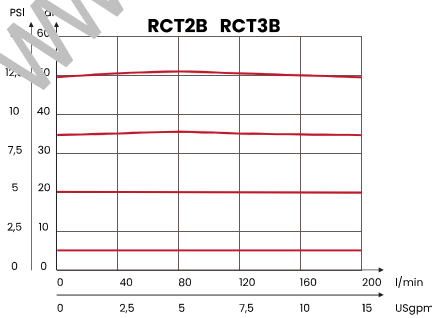
F	B	H	L	ØD	N	O	P	S	R	Z
3/8 BSPP	40 [1,57]	90 [3,54]	90 [3,54]	6,5 [0,26]	54 [2,13]	31 [1,22]	6 [0,24]	73 [2,87]	40 [1,57]	70 [2,76]
1/2 BSPP										
3/4 BSPP	50 [1,97]	110 [4,33]	110 [4,33]	8,5 [0,33]	63,5 [2,50]	35 [1,38]	8 [0,31]	85 [3,35]	44 [1,73]	96 [3,78]
1 BSPP					/	46 [1,81]	10 [0,39]	86 [3,39]	45 [1,77]	98 [3,86]

Aluminium body

HYDRAULIC CIRCUIT



PERFORMANCE



ORDERING CODE

ORDERING CODE	F	MAX FLOW l/min USgpm	MAX PRESSURE bar PSI	WEIGHT kg lbt
RCT2B	3/8 BSPP	50 l/min con 30 l/min in R [13,3 USgpm with 8 USgpm in R]	210 [3050]	1,15 [2,54]
RCT3B	1/2 BSPP	90 l/min con 50 l/min in R [23,8 USgpm with 13,3 USgpm in R]		1,1 [2,43]
RCT4B	3/4 BSPP	150 l/min con 80 l/min in R [39,6 USgpm with 21,3 USgpm in R]		1,9 [4,19]
RCT5B	1 BSPP	240 l/min con 150 l/min in R [63,4 USgpm with 40 USgpm in R]		2 [4,41]

Mineral oil: DIN 51524 ISO 6743/4 | Oil viscosity: 15 to 250 cSt 15-250 mm²/s | Oil temperature: -4°F + 176°F -20°C +80°C | Ambient temperature: -4°F + 122°F -20°C +50°C | Max contamination index with filter: 5 to 250 cSt 15-250 mm²/s | It is necessary a filter use to protect the valve (advised filtration 15 µm)