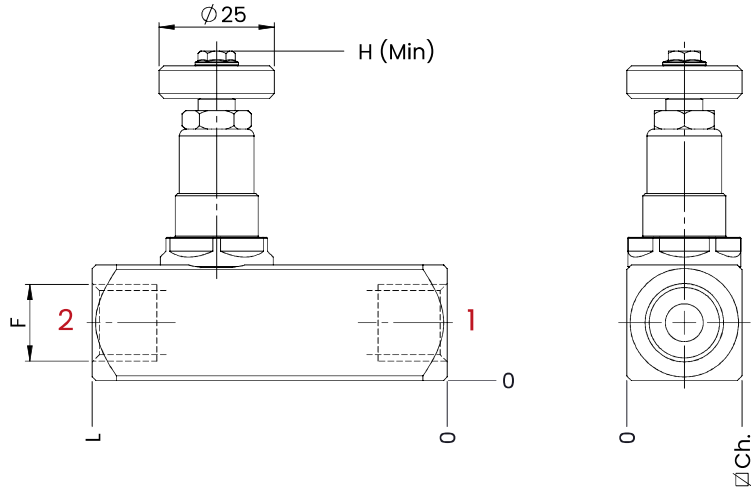


### UNIDIRECTIONAL FLOW CONTROL VALVES ECONOMIC VERSION

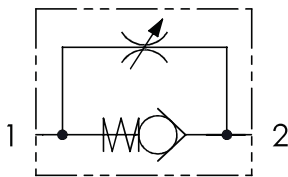


#### TECHNICAL CHARACTERISTICS

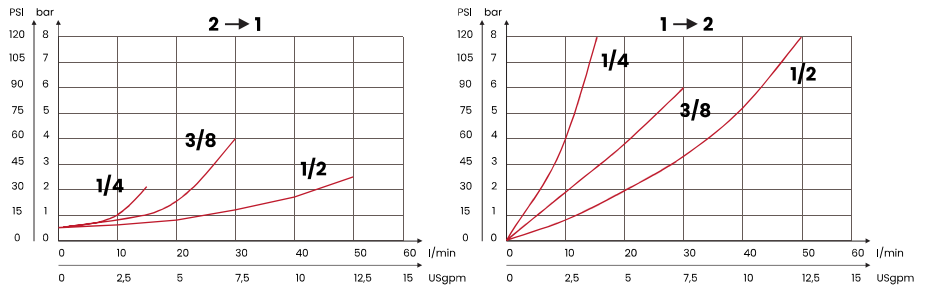
mm [Inches]

F	L	H	Øch
1/4 BSPP	66 [2,60]	74 [2,91]	25 [0,98]
3/8 BSPP	77 [3,03]	79 [3,11]	30 [1,18]
1/2 BSPP	86 [3,39]		
Steel body			

#### HYDRAULIC CIRCUIT



#### PERFORMANCES



#### ORDERING CODE

ORDERING CODE	F	MAX FLOW l/min USgpm	MAX PRESSURE bar PSI	WEIGHT kg lbt
<b>SUD1B</b>	1/4 BSPP	15 [4]	400 [5800]	0,35 [0,77]
<b>SUD2B</b>	3/8 BSPP	30 [7,9]		
<b>SUD3B</b>	1/2 BSPP	50 [13,2]		0,55 [1,21]

Mineral oil: DIN 51524 ISO 6743/4 | Oil viscosity: 15 to 250 cSt 15-250 mm<sup>2</sup>/s | Oil temperature: -4°F + 176°F -20°C +80°C | Ambient temperature: -4°F + 122°F -20°C +50°C | Max contamination index with filter: 5 to 250 cSt 15-250 mm<sup>2</sup>/s | It is necessary a filter use to protect the valve (advised filtration 15 µm)