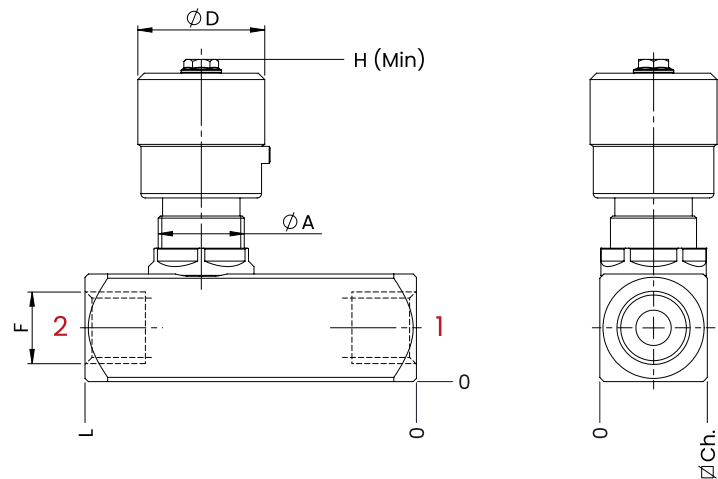


UNIDIRECTIONAL FLOW CONTROL VALVES



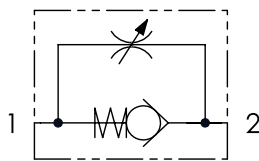
TECHNICAL CHARACTERISTICS

mm [Inches]

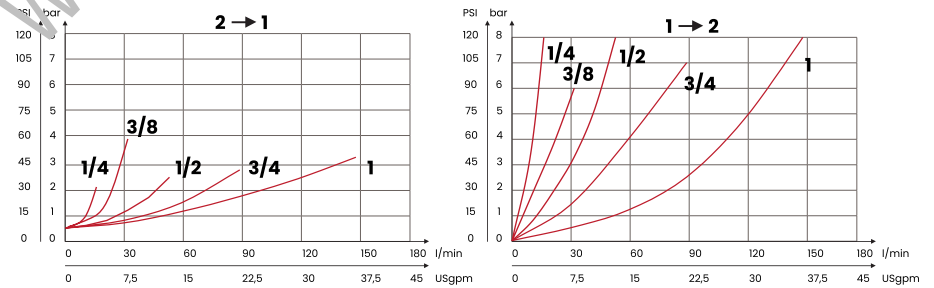
F	L	H	ØCh	ØD	A
1/4 BSPP	66 [2,60]	76 [2,99]	25 [0,98]	30 [1,18]	M20 x 1
3/8 BSPP	77 [3,03]				
1/2 BSPP	86 [3,38]	81 [3,19]	30 [1,18]	38 [1,5]	M35 x 1,5
3/4 BSPP	112,5 [4,43]	110 [4,33]	40 [1,57]		
1 BSPP	141 [5,55]	114 [4,49]	45 [1,77]		

Steel body

HYDRAULIC CIRCUIT



PERFORMANCES



ORDERING CODE

ORDERING CODE	F	MAX FLOW l/min USgpm	MAX PRESSURE bar PSI	WEIGHT kg lbt
SUA1B	1/4 BSPP	15 [4]	400 [5800]	0,4 [0,88]
SUA2B	3/8 BSPP	30 [7,9]		
SUA3B	1/2 BSPP	50 [13,2]		0,6 [1,32]
SUA4B	3/4 BSPP	90 [23,8]		1,45 [3,2]
SUA5B	1 BSPP	150 [39,6]		2 [4,4]

Mineral oil: DIN 51524 ISO 6743/4 | Oil viscosity: 15 to 250 cSt 15-250 mm²/s | Oil temperature: -4°F + 176°F -20°C +80°C | Ambient temperature: -4°F + 122°F -20°C +50°C | Max contamination index with filter: 5 to 250 cSt 15-250 mm²/s | It is necessary a filter use to protect the valve (advised filtration 15 µm)