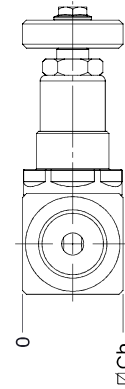
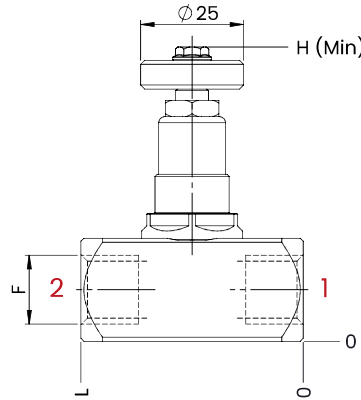


BIDIRECTIONAL FLOW CONTROL VALVES ECONOMIC VERSION

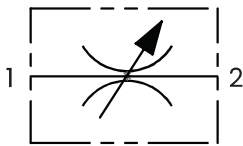


TECHNICAL CHARACTERISTICS

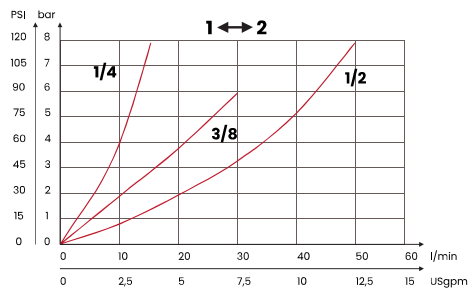
mm [Inches]

F	L	H	∅Ch
1/4 BSPP	54 [2,13]	74 [2,91]	25 [0,98]
3/8 BSPP			
1/2 BSPP	58 [2,28]	79 [3,11]	30 [1,18]
Steel body			

HYDRAULIC CIRCUIT



PERFORMANCES



ORDERING CODE

ORDERING CODE	F	MAX FLOW l/min Usqpm	MAX PRESSURE bar PSI	WEIGHT kg lbt
SBD1B	1/4 BSPP	15 [4]	400 [5800]	0,28 [0,6]
SBD2B	3/8 BSPP	30 [7,9]		0,26 [0,57]
SBD3B	1/2 BSPP	50 [13,2]		0,45 [1]

Mineral oil: DIN 51524 ISO 6743/4 | Oil viscosity: 15 to 250 cSt 15-250 mm²/s | Oil temperature: -4°F + 176°F -20°C +80°C | Ambient temperature: -4°F + 122°F -20°C +50°C | Max contamination index with filter: 5 to 250 cSt 15-250 mm²/s | It is necessary a filter use to protect the valve (advised filtration 15 µm)