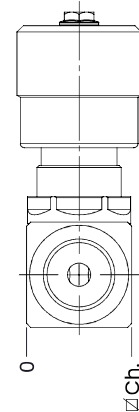
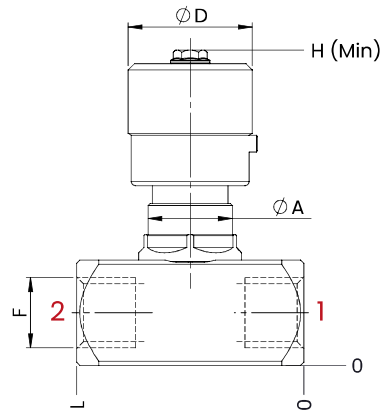


BIDIRECTIONAL FLOW CONTROL VALVES



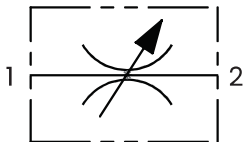
TECHNICAL CHARACTERISTICS

mm [Inches]

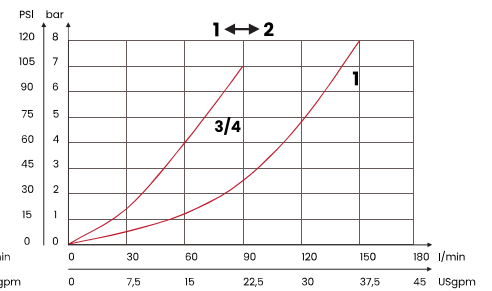
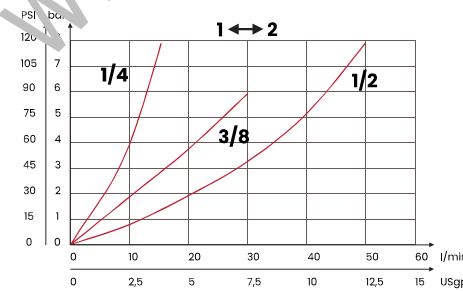
F	L	H	ØCh	ØD	A
1/4 BSPP	54 [2,13]	76 [2,99]	25 [0,99]	30 [1,18]	M20 x 1
3/8 BSPP					
1/2 BSPP	58 [2,28]	81 [3,19]	30 [1,18]	42 [1,65]	M35 x 1,5
3/4 BSPP	81 [3,19]	110 [4,33]	40 [1,57]		
1 BSPP	102 [4,01]	114 [4,49]	45 [1,77]		

Steel body

HYDRAULIC CIRCUIT



PERFORMANCES



ORDERING CODE

ORDERING CODE	F	MAX FLOW l/min USgpm	MAX PRESSURE bar PSI	WEIGHT kg lb
SBA1B	1/4 BSPP	15 [4]	400 [5800]	0,3 [0,66]
SBA2B	3/8 BSPP	30 [7,9]		0,28 [0,62]
SBA3B	1/2 BSPP	50 [13,2]		0,5 [1,1]
SBA4B	3/4 BSPP	90 [23,8]		1,1 [2,43]
SBA5B	1 BSPP	150 [39,6]		1,5 [3,3]

Mineral oil: DIN 51524 ISO 6743/4 | Oil viscosity: 15 to 250 cSt 15-250 mm²/s | Oil temperature: -4°F + 176°F -20°C +80°C | Ambient temperature: -4°F + 122°F -20°C +50°C | Max contamination index with filter: 5 to 250 cSt 15-250 mm²/s | It is necessary a filter use to protect the valve (advised filtration 15 µm)