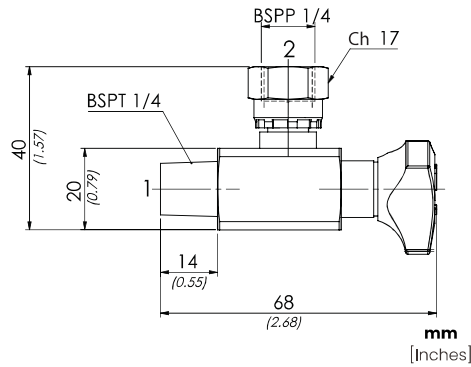


ORDERING CODE

RTM

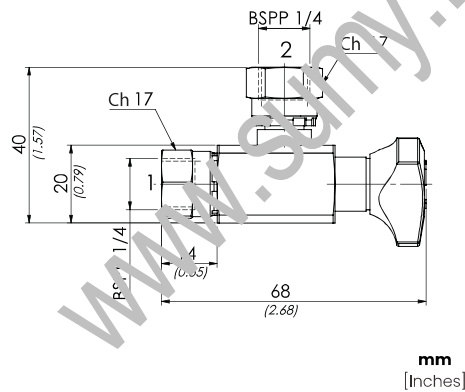


TECHNICAL CHARACTERISTICS

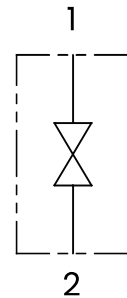
MAX PRESSURE bar PSI	WEIGHT kg lbt
400 [5800]	0,15 [0,33]

ORDERING CODE

RTC

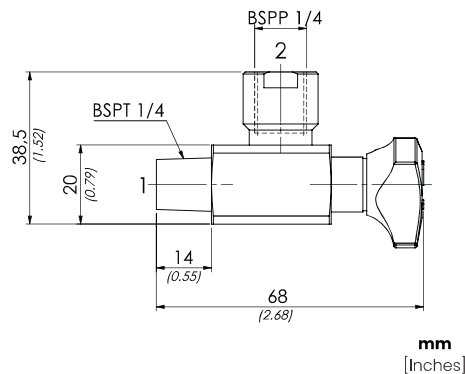


HYDRAULIC CIRCUIT



ORDERING CODE

RTF



Mineral oil: DIN 51524 ISO 6743/4 | Oil viscosity: 15 to 250 cSt 15-250 mm²/s | Oil temperature: -4°F + 176°F -20°C +80°C | Ambient temperature: -4°F + 122°F -20°C +50°C | Max contamination index with filter: 5 to 250 cSt 15-250 mm²/s | It is necessary a filter use to protect the valve (advised filtration 15 µm)