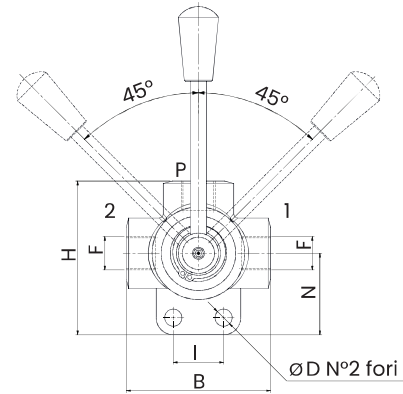
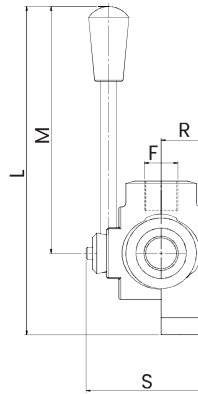


## 3 WAYS FLOW DIVERTERS

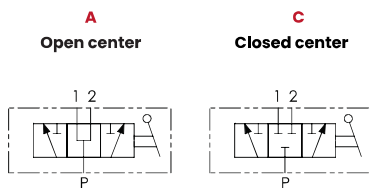


### TECHNICAL CHARACTERISTICS

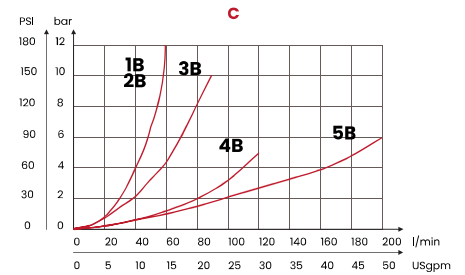
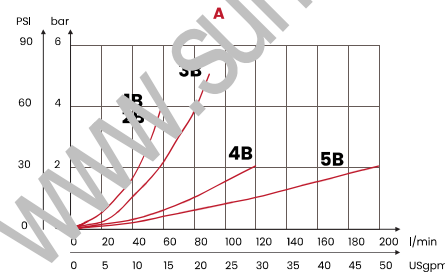
mm [Inches]

F	B	H	L	ØD	I	M	N	S	R
1/4 BSPP	70 [2,76]	75,5 [2,97]	155,5 [6,12]	8,5 [0,33]	25 [0,98]	115 [4,53]	32 [1,26]	57 [2,24]	21 [0,83]
3/8 BSPP									
1/2 BSPP	80 [3,15]	86 [3,39]	161 [6,34]	10,5 [0,41]	32 [1,26]		36 [1,42]	63 [2,48]	24 [0,94]
3/4 BSPP	90 [3,54]	98,5 [3,88]	168,5 [6,63]				42 [1,65]	67 [2,64]	26 [1,02]
1 BSPP	98 [3,86]	110 [4,33]	176,5 [6,95]				50 [1,97]	77 [3,03]	31 [1,22]

### HYDRAULIC CIRCUIT



### PERFORMANCES



### ORDERING CODE

ORDERING CODE	F	MAX FLOW l/min USgpm	MAX PRESSURE bar PSI	WEIGHT kg lbt
<b>D3A1B</b>	1/4 BSPP	60 [15,8]	350 [5075]	0,8 [1,8]
<b>D3A2B</b>	3/8 BSPP			
<b>D3A3B</b>	1/2 BSPP	90 [23,8]		1,2 [2,65]
<b>D3A4B</b>	3/4 BSPP	120 [31,7]		1,8 [3,97]
<b>D3A5B</b>	1 BSPP	200 [52,8]	300 [4000]	2,7 [5,95]
<b>D3C1B</b>	1/4 BSPP	60 [15,8]	350 [5075]	0,8 [1,8]
<b>D3C2B</b>	3/8 BSPP			
<b>D3C3B</b>	1/2 BSPP	90 [23,8]		1,2 [2,65]
<b>D3C4B</b>	3/4 BSPP	120 [31,7]		1,8 [3,97]
<b>D3C5B</b>	1 BSPP	200 [52,8]	300 [4000]	2,7 [5,95]

Mineral oil: DIN 51524 ISO 6743/4 | Oil viscosity: 15 to 250 cSt 15-250 mm<sup>2</sup>/s | Oil temperature: -4°F + 176°F -20°C +80°C | Ambient temperature: -4°F + 122°F -20°C +50°C | Max contamination index with filter: 5 to 250 cSt 15-250 mm<sup>2</sup>/s | It is necessary a filter use to protect the valve (advised filtration 15 µm) | Max leakage: 0,25 cm<sup>3</sup>/min - 5 drops/min