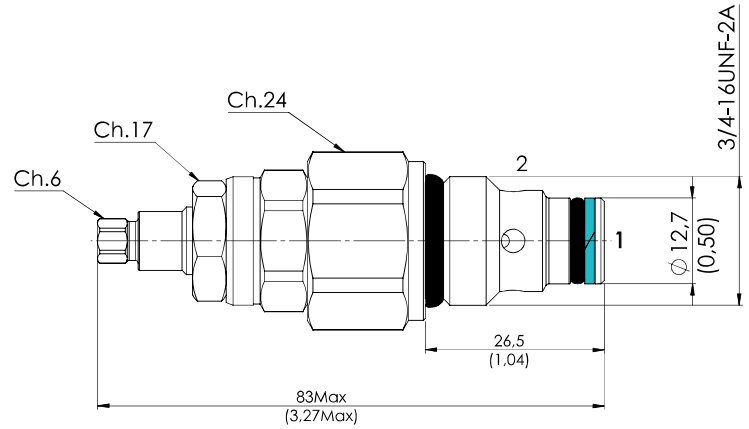


## UNIDIRECTIONAL FLOW CONTROL VALVES

CU2C

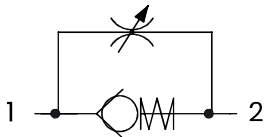


CU2V

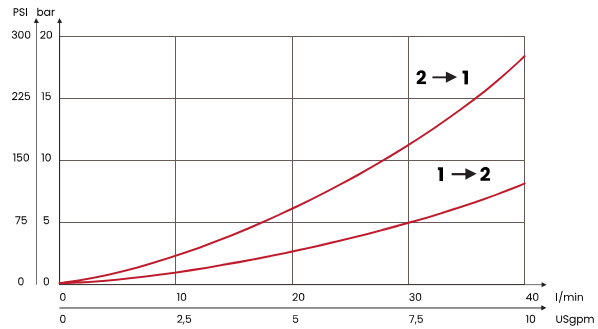


mm  
[Inches]

### HYDRAULIC CIRCUIT



### PERFORMANCE



### ORDERING CODE

ORDERING CODE	CAVITY	MAX FLOW l/min USgpm	MAX PRESSURE bar PSI	TIGHTENING TORQUE Nm lbt ft	WEIGHT kg lbt
CU2C	SAE8/2	40 [10,6]	350 [5075]	30 [22]	0,13 [0,30]
CU2V					
Available with handknob					

Mineral oil: DIN 51524 ISO 6743/4 | Oil viscosity: 15 to 250 cSt 15-250 mm<sup>2</sup>/s | Oil temperature: -4°F + 176°F -20°C +80°C | Ambient temperature: -4°F + 122°F -20°C +50°C | Max contamination index with filter: 5 to 250 cSt 15-250 mm<sup>2</sup>/s | It is necessary a filter use to protect the valve (advised filtration 15 µm) | Max leakage: 0,25 cm<sup>3</sup>/min - 5 drops/min at 80% of the calibration pressure