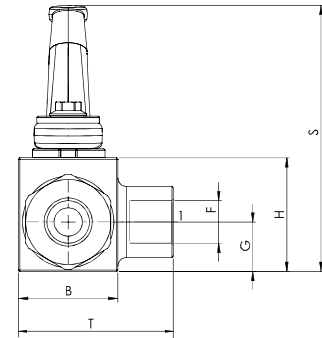
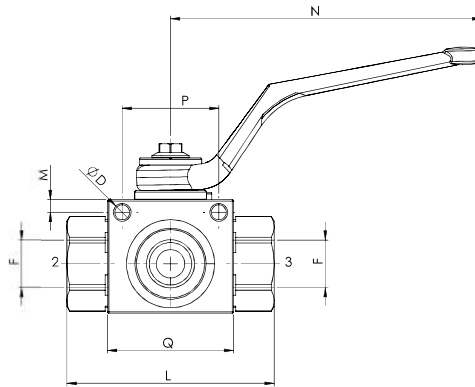


## BALL VALVES

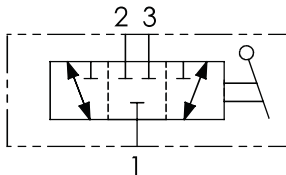


### TECHNICAL CHARACTERISTICS

mm [Inches]

F	B	H	D	N	Q	R	S	T
1/4 BSPP	26 [1,02]	33 [1,3]	4,1 [0,2]	110 [4,33]	40 [1,57]	14,5 [0,57]	87 [3,43]	42 [1,65]
3/8 BSPP	30 [1,18]	35 [1,38]			42 [1,65]	15 [0,59]	89 [3,5]	46 [1,81]
1/2 BSPP	35 [1,38]	40 [1,57]			44 [1,73]	18 [0,71]	94 [3,7]	54 [2,13]
3/4 BSPP	49 [1,93]	57 [2,24]	6,2 [0,24]	180 [7,09]	62,5 [2,46]	25,4 [1]	105 [4,13]	75 [2,95]
1 BSPP	55 [2,17]	65 [2,56]			66,0 [2,62]	29,5 [1,16]	113 [4,45]	89 [3,5]
1-1/4 BSPP					66,0 [2,62]	29,5 [1,16]	113 [4,45]	89 [3,5]
1-1/2 BSPP								

### HYDRAULIC CIRCUIT



Warning  
Pressure inlet only from center port 1

### ORDERING CODE

ORDERING CODE	F	MAX FLOW l/min USgpm	MAX PRESSURE bar PSI	WEIGHT kg lbt
<b>GE31B</b>	1/4 BSPP	25 [6,6]	500 [7250]	0,41 [0,9]
<b>GE32B</b>	3/8 BSPP	35 [9,2]		0,51 [1,12]
<b>GE33B</b>	1/2 BSPP	60 [15,8]		0,72 [1,59]
<b>GE34B</b>	3/4 BSPP	100 [26,4]	420 [6090]	1,58 [3,48]
<b>GE35B</b>	1 BSPP	150 [39,6]	350 [5075]	2,42 [5,34]
<b>GE36B</b>	1-1/4 BSPP			2,6 [5,73]
<b>GE37B</b>	1-1/2 BSPP			2,76 [6,08]

Mineral oil: DIN 51524 ISO 6743/4 | Oil viscosity: 15 to 250 cSt 15-250 mm<sup>2</sup>/s | Oil temperature: -4°F + 176°F -20°C +80°C | Ambient temperature: -4°F + 122°F -20°C +50°C | Max contamination index with filter: 5 to 250 cSt 15-250 mm<sup>2</sup>/s | It is necessary a filter use to protect the pump (advised filtration 15 µm)