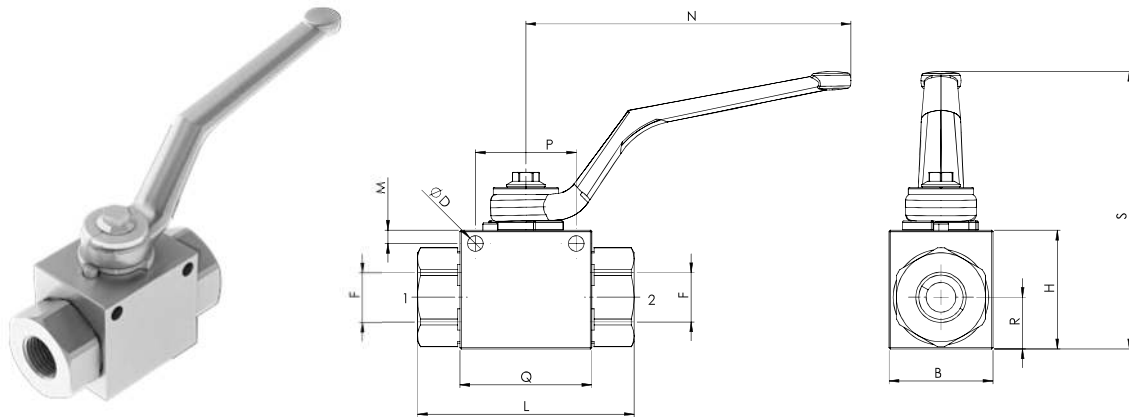


BALL VALVES

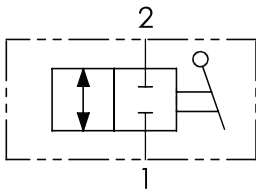


TECHNICAL CHARACTERISTICS

mm [Inches]

F	L	B	H	ØD	M	N	P	Q	R	S
1/4 BSPP	69 [2,72]	26 [1,02]	33 [1,3]	5,1 [0,2]	4 [0,16]	110 [4,33]	34 [1,34]	40 [1,57]	14,5 [0,57]	87 [3,43]
3/8 BSPP	71 [2,8]	30 [1,18]	35 [1,38]					42 [1,65]	15 [0,59]	89 [3,5]
1/2 BSPP	83 [3,27]	35 [1,38]	40 [1,57]				36 [1,42]	18 [0,71]	94 [3,7]	
3/4 BSPP	95 [3,74]	49 [1,93]	57 [2,24]	6,2 [0,24]	6 [0,24]	110 [4,33]	50 [1,97]	62,5 [2,46]	25,4 [1]	105 [4,13]
1 BSPP	112 [4,41]	55 [2,17]	65 [2,56]					66,5 [2,62]	29,5 [1,16]	113 [4,45]
1-1/4 BSPP	120 [4,72]						1-1/2 BSPP	124 [4,88]		

HYDRAULIC CIRCUIT



ORDERING CODE

ORDERING CODE	F	MAX FLOW l/min USgpm	MAX PRESSURE bar PSI	WEIGHT kg lbt
GE21B	1/4 BSPP	25 [6,6]	500 [7250]	0,38 [0,84]
GE22B	3/8 BSPP	35 [9,2]		0,47 [1,04]
GE23B	1/2 BSPP	60 [15,8]		0,64 [1,41]
GE24B	3/4 BSPP	100 [26,4]	420 [6090]	1,44 [3,17]
GE25B	1 BSPP	150 [39,6]	350 [5075]	2,22 [4,89]
GE26B	1-1/4 BSPP			2,27 [5]
GE27B	1-1/2 BSPP		2,39 [5,27]	

Mineral oil: DIN 51524 ISO 6743/4 | Oil viscosity: 15 to 250 cSt 15-250 mm²/s | Oil temperature: -4°F + 176°F -20°C +80°C | Ambient temperature: -4°F + 122°F -20°C +50°C | Max contamination index with filter: 5 to 250 cSt 15-250 mm²/s | It is necessary a filter use to protect the pump (advised filtration 15 µm)