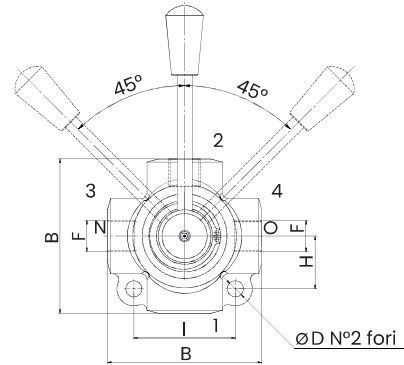
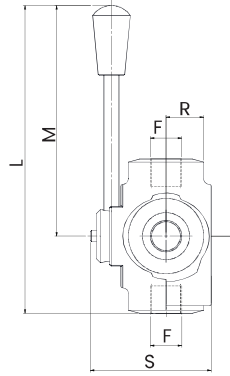


## 4 WAYS FLOW INVERTERS

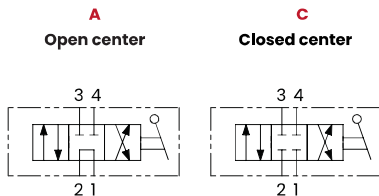


### TECHNICAL CHARACTERISTICS

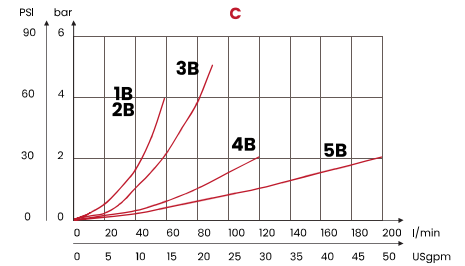
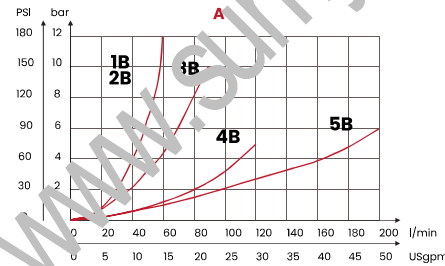
mm [Inches]

F	B	L	Ø D	I	M	R	S	H
1/4 BSPP	80 [3,15]	155 [6,10]	8,5 [0,33]	54 [2,13]	115 [4,53]	24 [0,94]	63 [2,48]	28 [1,10]
3/8 BSPP								
1/2 BSPP								
3/4 BSPP	94 [3,70]	162 [6,38]	10,5 [0,41]	74 [2,91]		31 [1,22]	77 [3,03]	38 [1,50]
1 BSPP								

### HYDRAULIC CIRCUIT



### PERFORMANCES



### ORDERING CODE

ORDERING CODE	F	MAX FLOW l/min USgpm	MAX PRESSURE bar PSI	WEIGHT kg lbt
<b>14A1B</b>	1/4 BSPP	60 [15,8]	350 [5075]	1,3 [2,8]
<b>14A2B</b>	3/8 BSPP			
<b>14A3B</b>	1/2 BSPP	90 [23,8]		1,1 [2,43]
<b>14A4B</b>	3/4 BSPP	120 [31,7]		2,8 [6,1]
<b>14A5B</b>	1 BSPP	200 [52,8]	300 [4000]	2,5 [5,5]
<b>14C1B</b>	1/4 BSPP	60 [15,8]	350 [5075]	1,3 [2,8]
<b>14C2B</b>	3/8 BSPP			
<b>14C3B</b>	1/2 BSPP	90 [23,8]		1,1 [2,43]
<b>14C4B</b>	3/4 BSPP	120 [31,7]		2,8 [6,1]
<b>14C5B</b>	1 BSPP	200 [52,8]	300 [4000]	2,5 [5,5]

Mineral oil: DIN 51524 ISO 6743/4 | Oil viscosity: 15 to 250 cSt 15-250 mm<sup>2</sup>/s | Oil temperature: -4°F + 176°F -20°C +80°C | Ambient temperature: -4°F + 122°F -20°C +50°C | Max contamination index with filter: 5 to 250 cSt 15-250 mm<sup>2</sup>/s | It is necessary a filter use to protect the valve (advised filtration 15 µm) | Max leakage: 0,25 cm<sup>3</sup>/min - 5 drops/min